

IT IS HIGHLY RECOMMENDED THAT THE INSTRUCTIONS BE READ THROUGH BEFORE INSTALLATION.



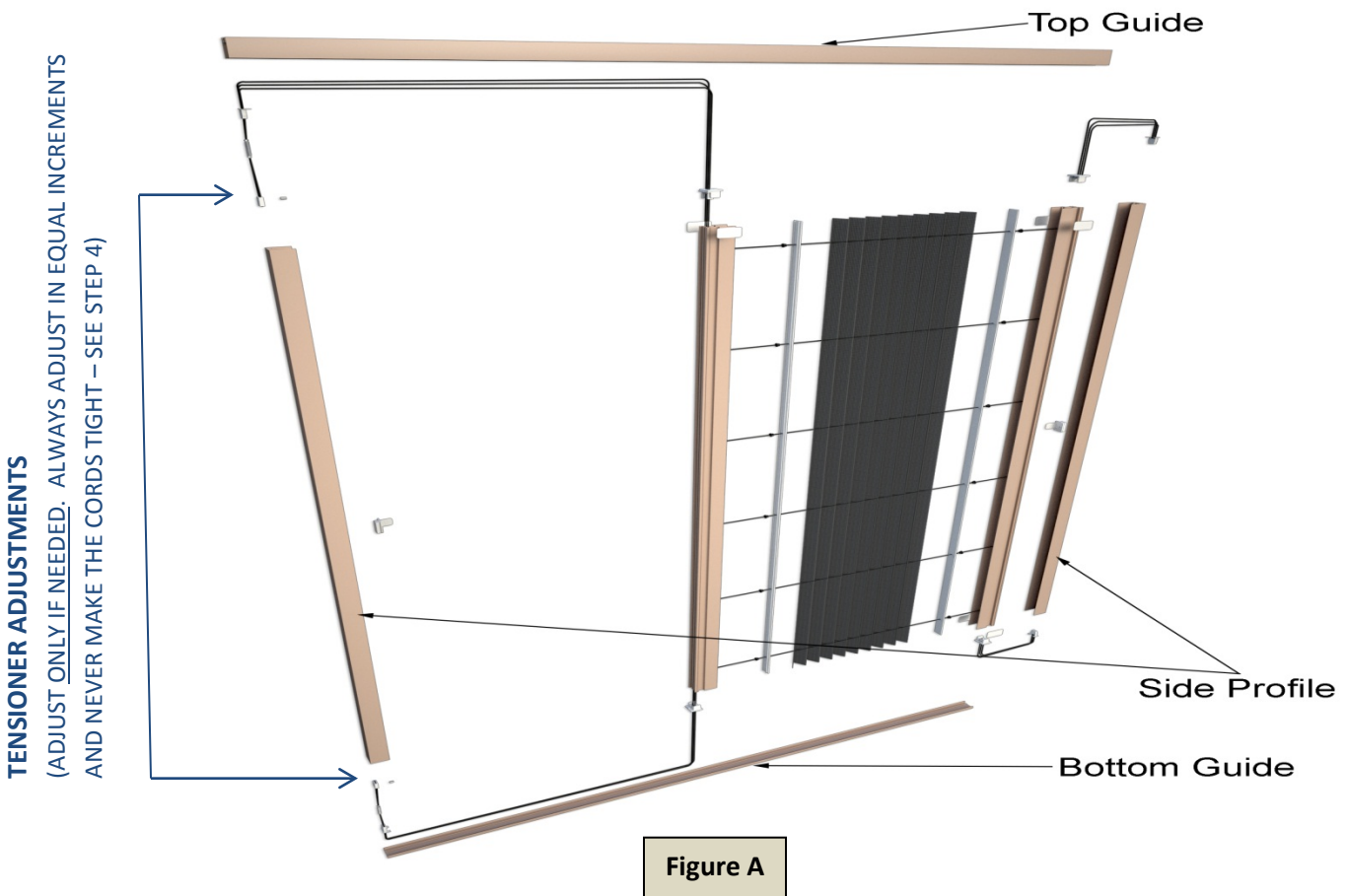
ZIGZAG

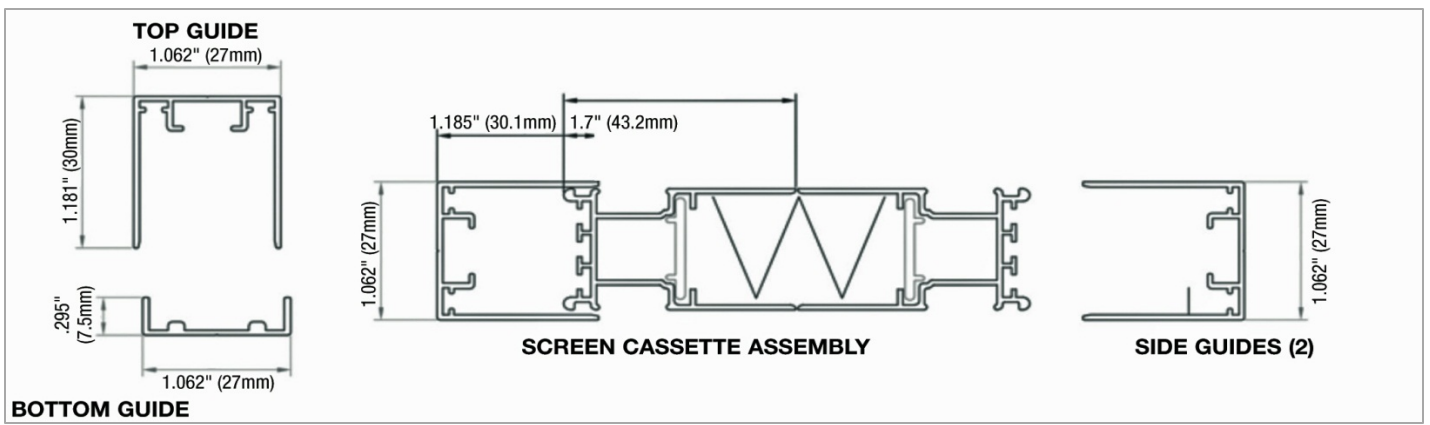
PLEATED FABRIC RETRACTABLE SCREEN INSTALLATION INSTRUCTIONS

INSTALLATION TOOLS

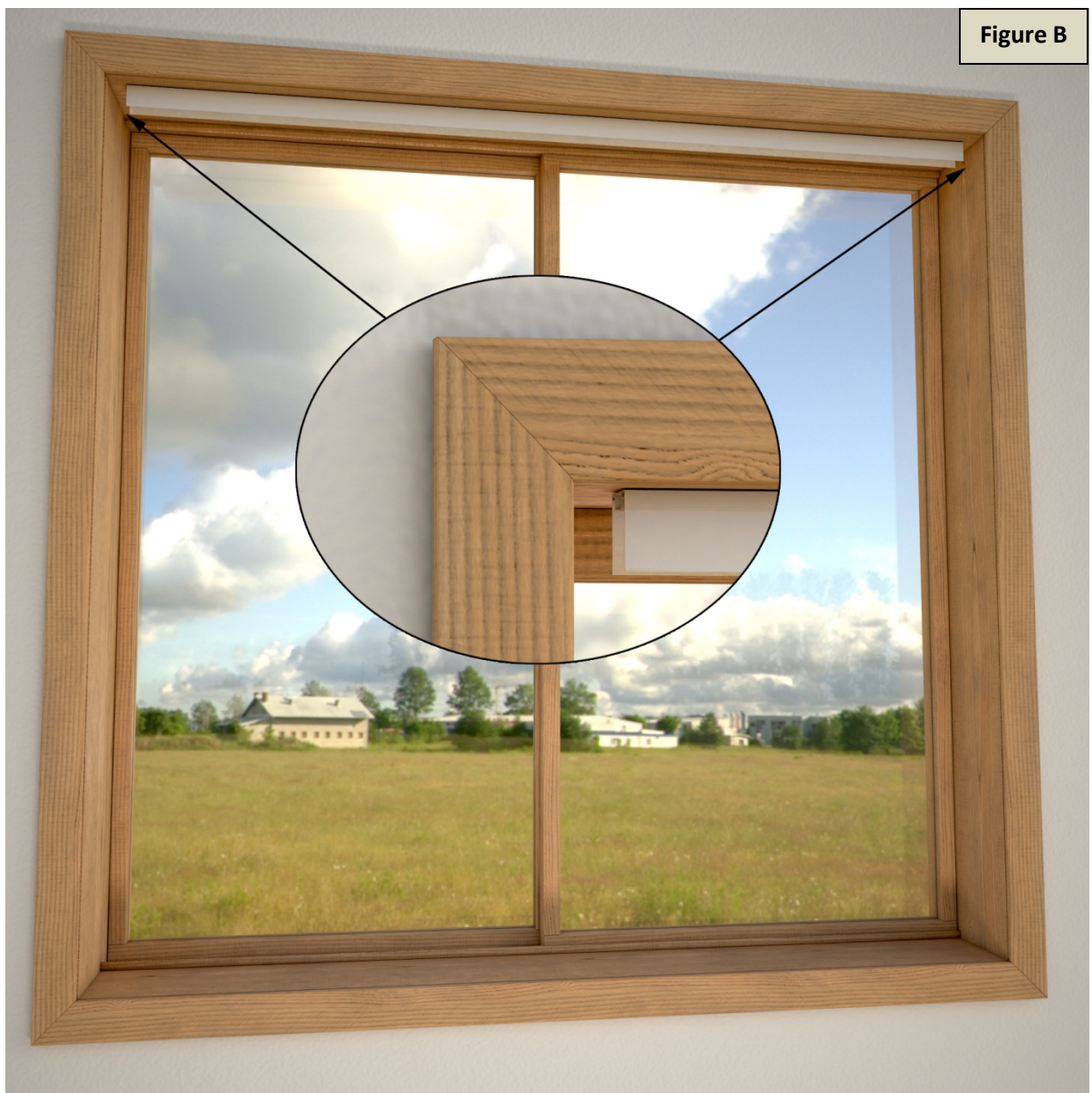


INTRODUCTION The Genius ZigZag pleated fabric retractable screen arrives pre-fabricated for the net screen opening dimensions that you have provided.





STEP 1: Locate the TOP GUIDE then and center it within the length of the top of the opening (leaving equal space at the extremities of the TOP GUIDE for the Side Guides). Begin at the center and secure the TOP GUIDE using the screws provided [see Figure B].



STEP 2: The SCREEN CASSETTE ASSEMBLY with each of the SIDE PROFILES have been pre-sized and arrive packaged in tandem. Position the SCREEN CASSETTE ASSEMBLY with the SIDE PROFILES to the left side of the opening. Grasp the right SIDE PROFILE and gently pull it to the right side of the opening and secure this SIDE PROFILE using the screws provided. Repeat this procedure and secure the left SIDE PROFILE. Note that the TOP GUIDE must be positioned inside the SIDE PROFILES [see Figure C].

⚠ Attention: Take care not to tangle the cords during these two steps



Figure C

STEP 3: Check to ensure that the bottom area where the BOTTOM GUIDE will rest is flat, level and clean. Locate the BOTTOM GUIDE and reveal a short piece of the special ADHESIVE TAPE on the bottom. Position the BOTTOM GUIDE underneath the SCREEN CASSETTE ASSEMBLY and all wires and center it within the length of the opening (leaving equal space at the extremities). Remove the protective covering from the ADHESIVE TAPE and stick the BOTTOM GUIDE to the opening surface. Note that the BOTTOM GUIDE must be positioned inside the SIDE PROFILES [see Figure D and E].



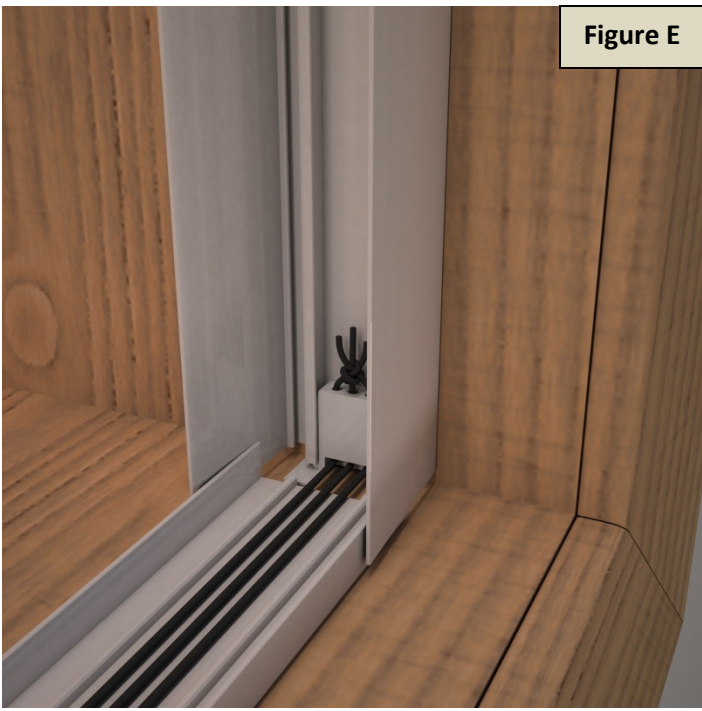


Figure E



Figure F

STEP 4: Test the operation of the screen [see Figure F]. **ONLY** if needed you may slightly increase or decrease the tension of the cords to help sliding by adjusting the TENSIONER ADJUSTMENTS [see Figure A and G]. The cords should not be over tensioned or made tight; too much tension will cause the screen to operate poorly and can damage the cords. If adjusting the tension always do it uniformly using both TENSIONER ADJUSTMENTS. If desired lubricate the inside of the TOP & BOTTOM GUIDE using silicone spray to improve sliding.



Figure G

Figure H



STEP 5: For a clean look and to promote the easy operation, the ZigZag screen features a full-length finger pull groove in both Pull Bars. Optional handles are included with the screen and can be installed if desired. To install the handle simply align the grooves at the under-side of the handle to the grooves of the Pull Bar and snap the handle into position [see Figure H]. The handle may be moved up or down at any time to the desired height. To retain the handle at one fixed height apply a tiny bit of silicon or other adhesive on the under-side of the handle and then snap it into position at the desired height.

www.geniusscreens.com